

OMNIA POKE

The easy fruit and salad bar



Tempered glass display, guarantees maximum safety and hygiene.

Paneling with customized graphics (Option).

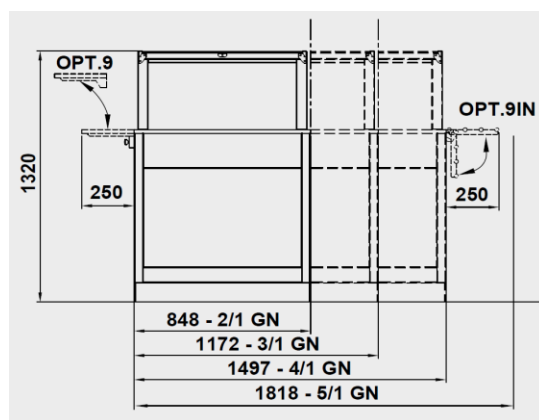
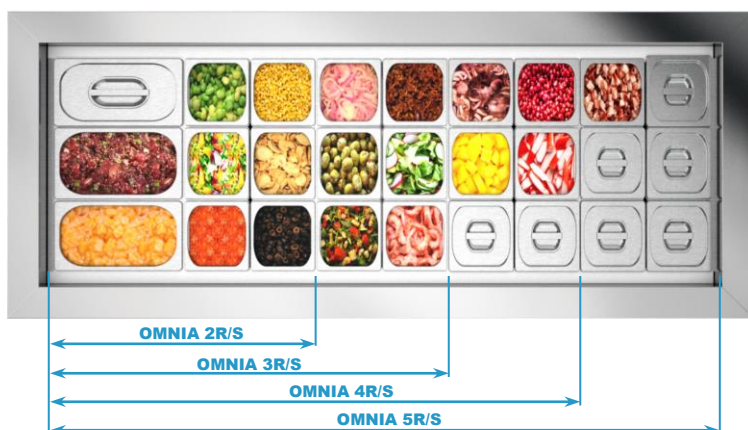
Opt. 3
Smart and useful side stainless steel tip-up shelf.

Greater ø125mm wheels as standard for better maneuverability and for an easy service with any kind of floor.

Ideal for dehor service, roof garden, terraces and any outdoor and indoor space.

Omnia POKE is the new Rocam solution designed for take away service, this refrigerated counter is specially equipped with ø125mm wheels as standard that allow greater agility on all floors and ensure maximum mobility between the kitchen and the public space.

Thanks to the cold well with positive Temperature (0-6°C) it guarantees an effective maintenance of fresh food and at the same time an optimal display of condiments and variations.



The large capacity of the well guarantees the display of a wide range of variations and tastes. Possibility to present from 9 up to 30 GN 1/6 h 200mm containers.